

Technical data sheet



Product features

Fry Top Griddle 97x48 electric durable chrome smooth table 400 v

Model	SAP Code	00021037
--------------	-----------------	----------



- Top type: Smooth
- Griddle dimensions [mm x mm]: 970 x 480
- Griddle thickness [mm]: 10.00
- Worktop material: Chrome plated steel
- Container for liquid fat: Yes
- Independent heating zones: Separate control for each heating zone
- Maximum device temperature [°C]: 300
- Surface finish: polished chrome 0.03 mm
- Removable rim: No

SAP Code	00021037	Power electric [kW]	9.000
Net Width [mm]	991	Loading	400 V / 3N - 50 Hz
Net Depth [mm]	541	Griddle dimensions [mm x mm]	970 x 480
Net Height [mm]	288	Top type	Smooth
Net Weight [kg]	73.00		

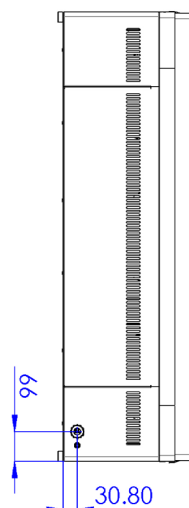
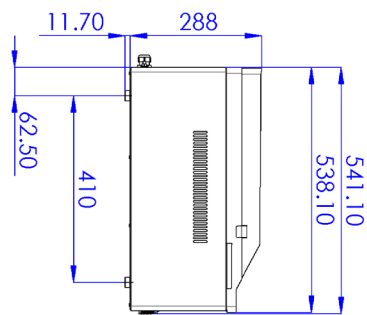
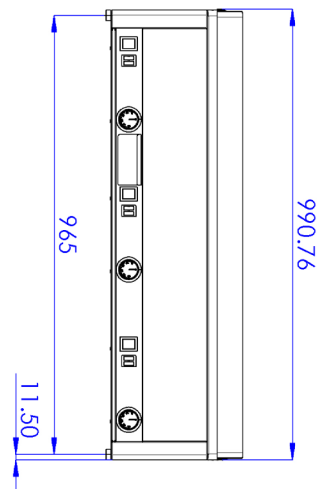
Technical data sheet



Technical drawing

Fry Top Griddle 97x48 electric durable chrome smooth table 400 v

Model	SAP Code	00021037
--------------	-----------------	----------



Technical data sheet



Product benefits

Fry Top Griddle 97x48 electric durable chrome smooth table 400 v

Model

SAP Code

00021037

1

Nationheres

long life
stainless steel resistance of AISI 304
the material does not rue

- Savings on service interventions
- easy cleaning of the device

2

Degree of protection of controls IPX4

maintenance -free
water resistance
long life

- Savings on service interventions
- easy cleaning of the device

3

Waste fluid socket

ensures oil dripping into a socket

- easy maintenance
- easy to clean

4

Tall non -removable hem

Better Hygienic Conditions
Preventing fat spraying on a secondary device

- easy maintenance
- easy to clean

5

Combined plate made of chrome steel

The product is less baked and cleaned better
good warming of meat with groove

- saving time when preparing meals
- Easy to prepare different types of dishes

6

A kernel for use on a table or on a bedding

variable use
Possibility to place in smaller spaces

- easy manipulation
- saving costs on the bedding

Technical data sheet



Technical parameters

Fry Top Griddle 97x48 electric durable chrome smooth table 400 v

Model	SAP Code	00021037
--------------	-----------------	----------

1. SAP Code:

00021037

2. Article group:

Frying plates

3. Net Width [mm]:

991

4. Net Depth [mm]:

541

5. Net Height [mm]:

288

6. Net Weight [kg]:

73.00

7. Gross Width [mm]:

705

8. Gross depth [mm]:

1055

9. Gross Height [mm]:

540

10. Gross Weight [kg]:

80.00

11. Device type:

Electric unit

12. Construction type of device:

Table top

13. Power electric [kW]:

9.000

14. Loading:

400 V / 3N - 50 Hz

15. Protection of controls:

IPX4

16. Material:

AISI 430

17. Indicators:

operation and warm-up

18. Worktop material:

Chrome plated steel

19. Surface finish:

polished chrome 0.03 mm

20. Maximum device temperature [°C]:

300

21. Minimum device temperature [°C]:

50

22. Adjustable feet:

Yes

23. Griddle dimensions [mm x mm]:

970 x 480

24. Griddle thickness [mm]:

10.00

25. Container for liquid fat:

Yes

26. Independent heating zones:

Separate control for each heating zone

27. Removable rim:

No

28. Uniform heating:

Yes

Technical data sheet



Technical parameters

Fry Top Griddle 97x48 electric durable chrome smooth table 400 v

Model	SAP Code	00021037
--------------	-----------------	----------

29. Top type:

Smooth